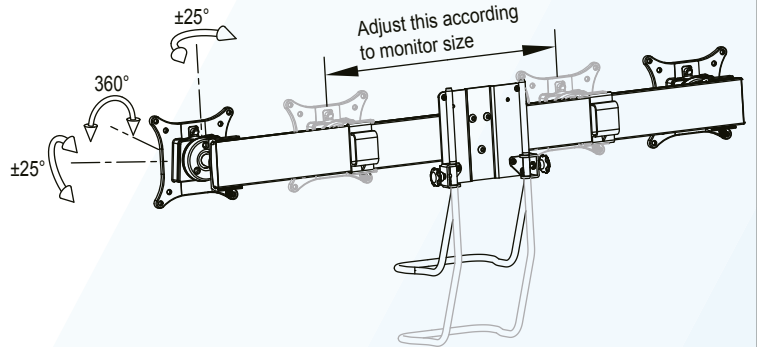
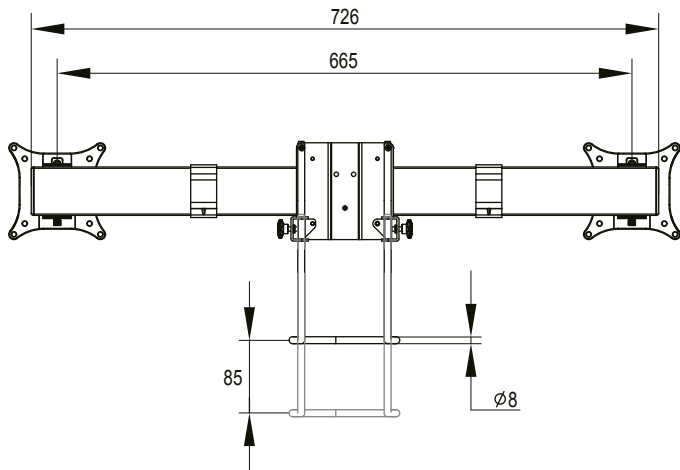
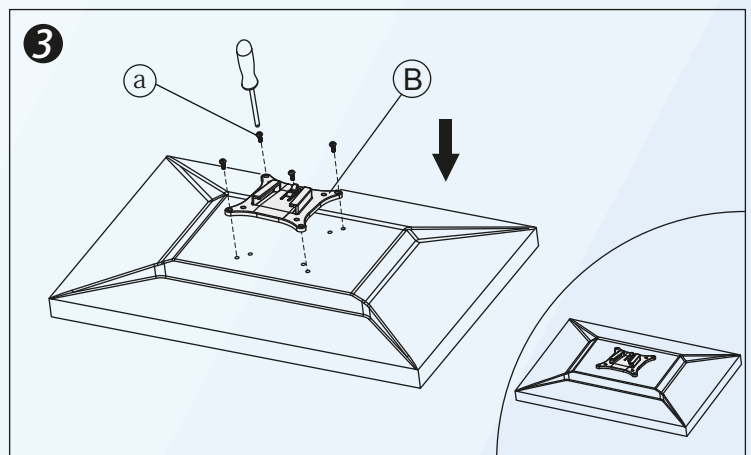
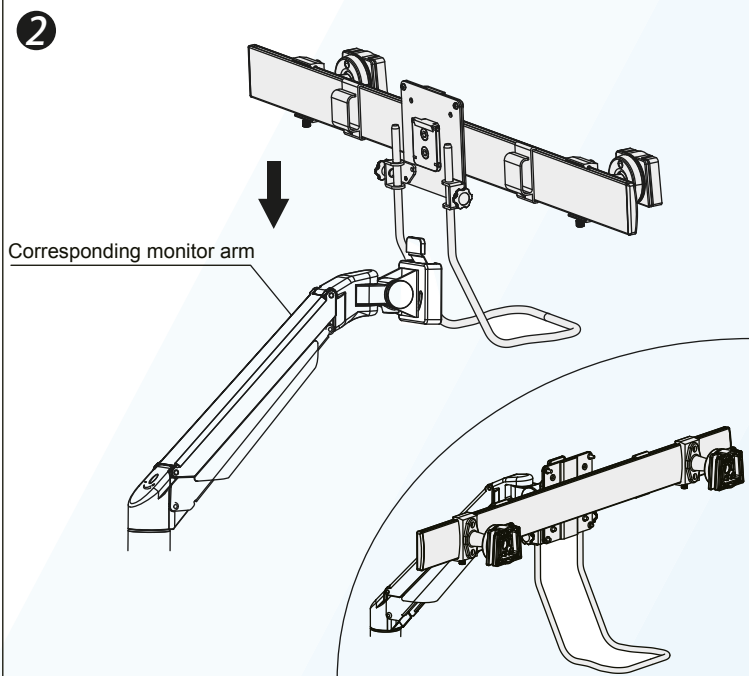
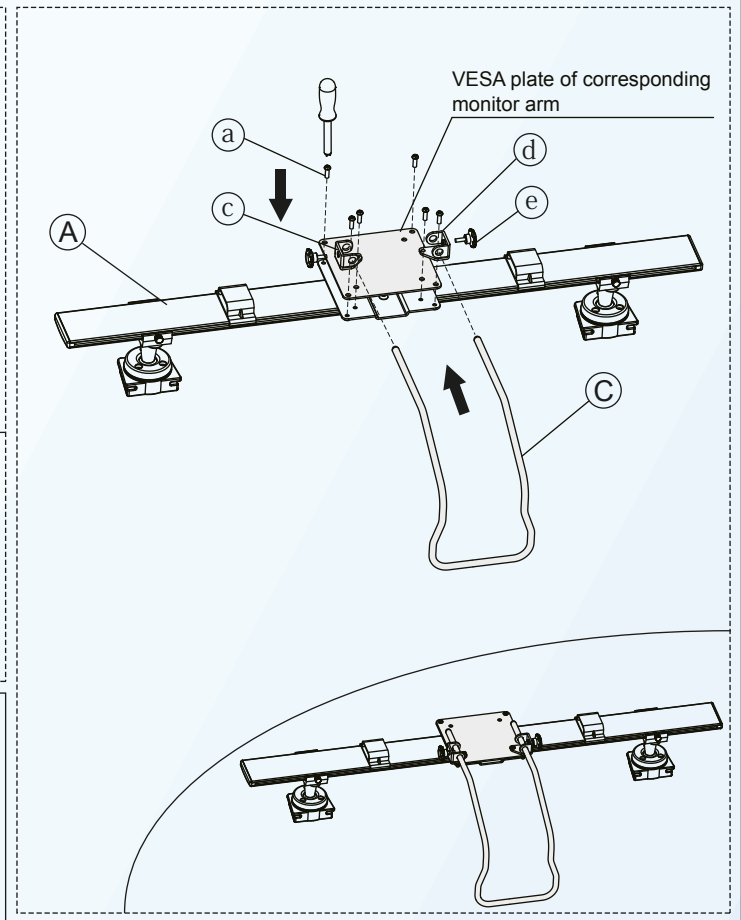
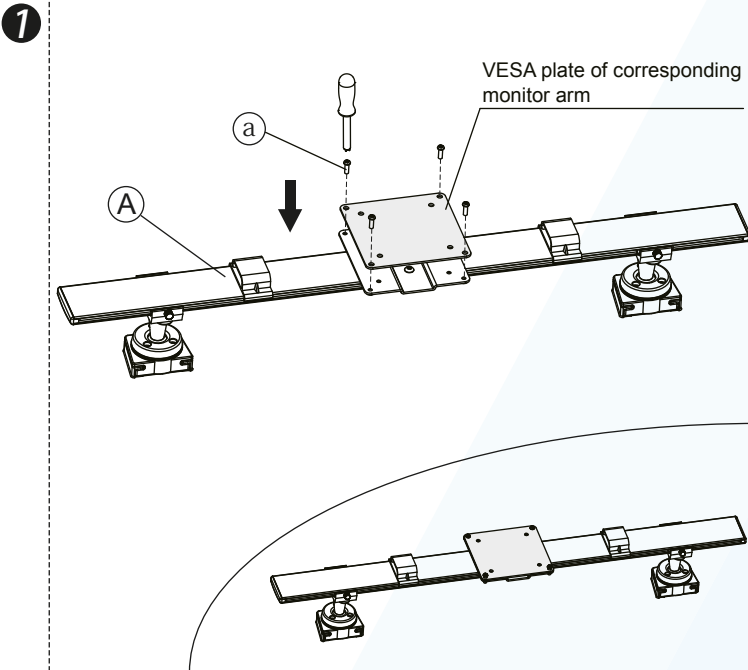
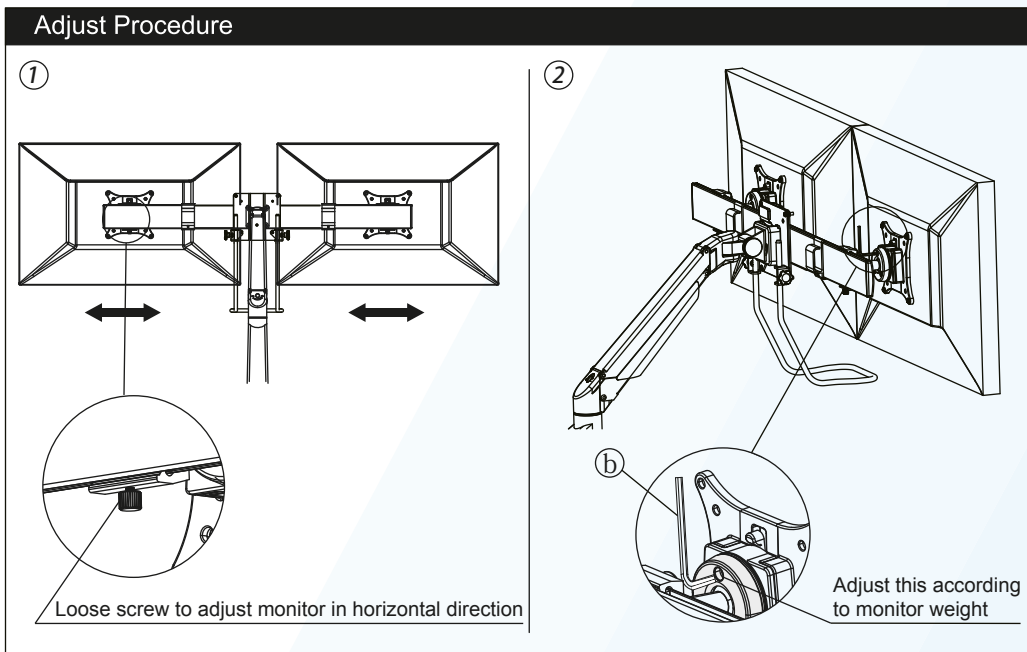
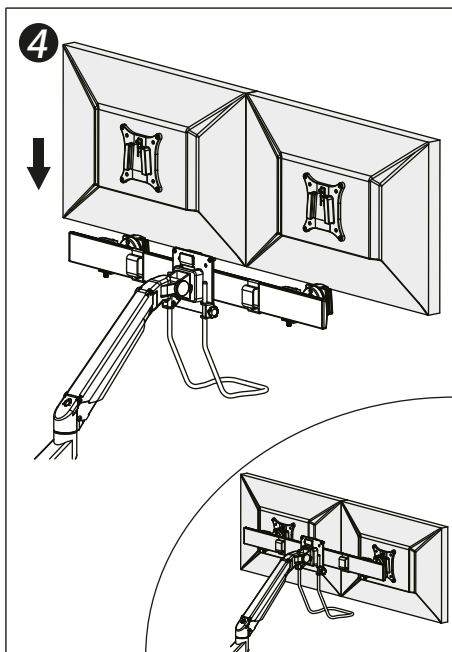


Product Size

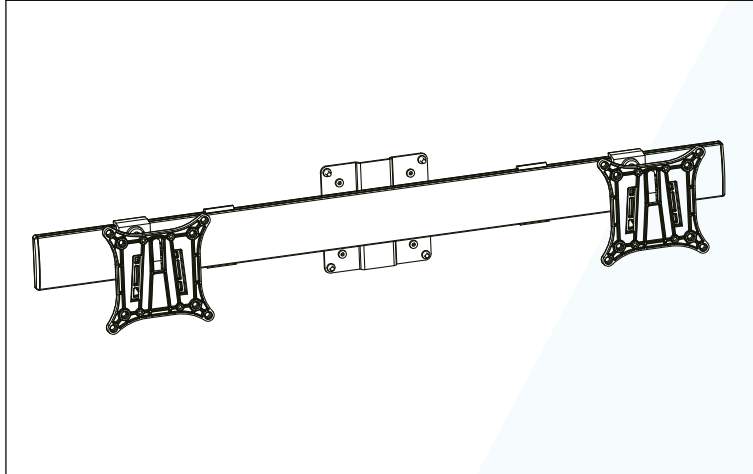


Install Procedure

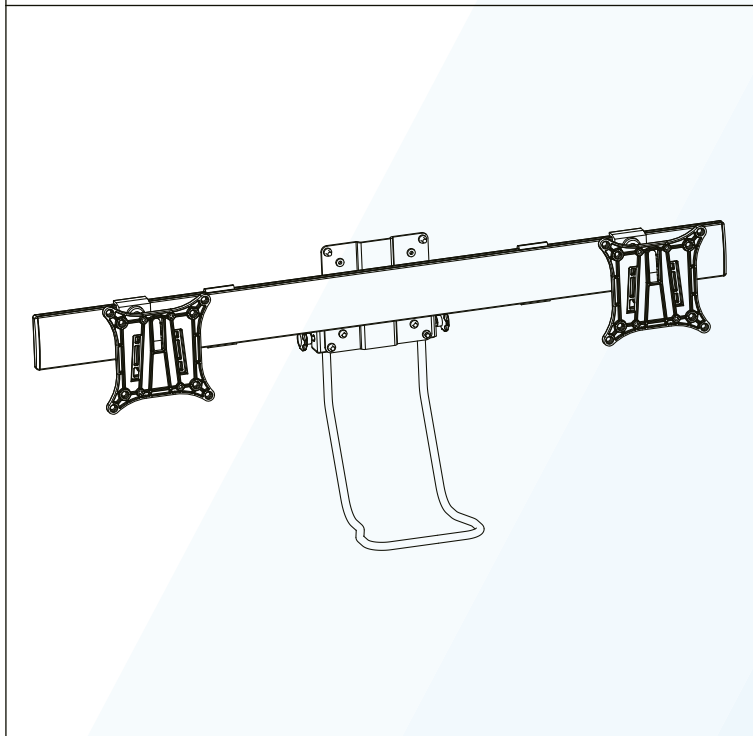




Packing list



Module List			
No.	Sketch	Specs	Quantity
A			1
B			2
Part List			
No.	Sketch	Specs	Quantity
a		M4X12	8
b		M3	1



Module List			
No.	Sketch	Specs	Quantity
A			1
B			2
C			1
Part List			
No.	Sketch	Specs	Quantity
a		M4X12	14
b		M3	1
c			1
d			1
e		M4x20	2