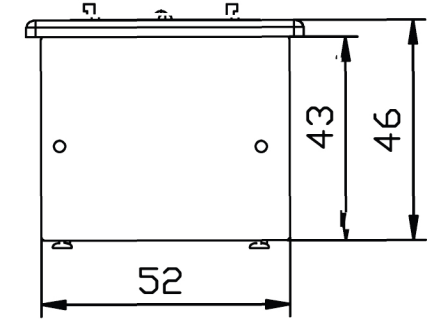


Installation dimension (width)



Installation dimension (depth)